



Vertical Cartridge Dust Collectors (AD Type)

General Features

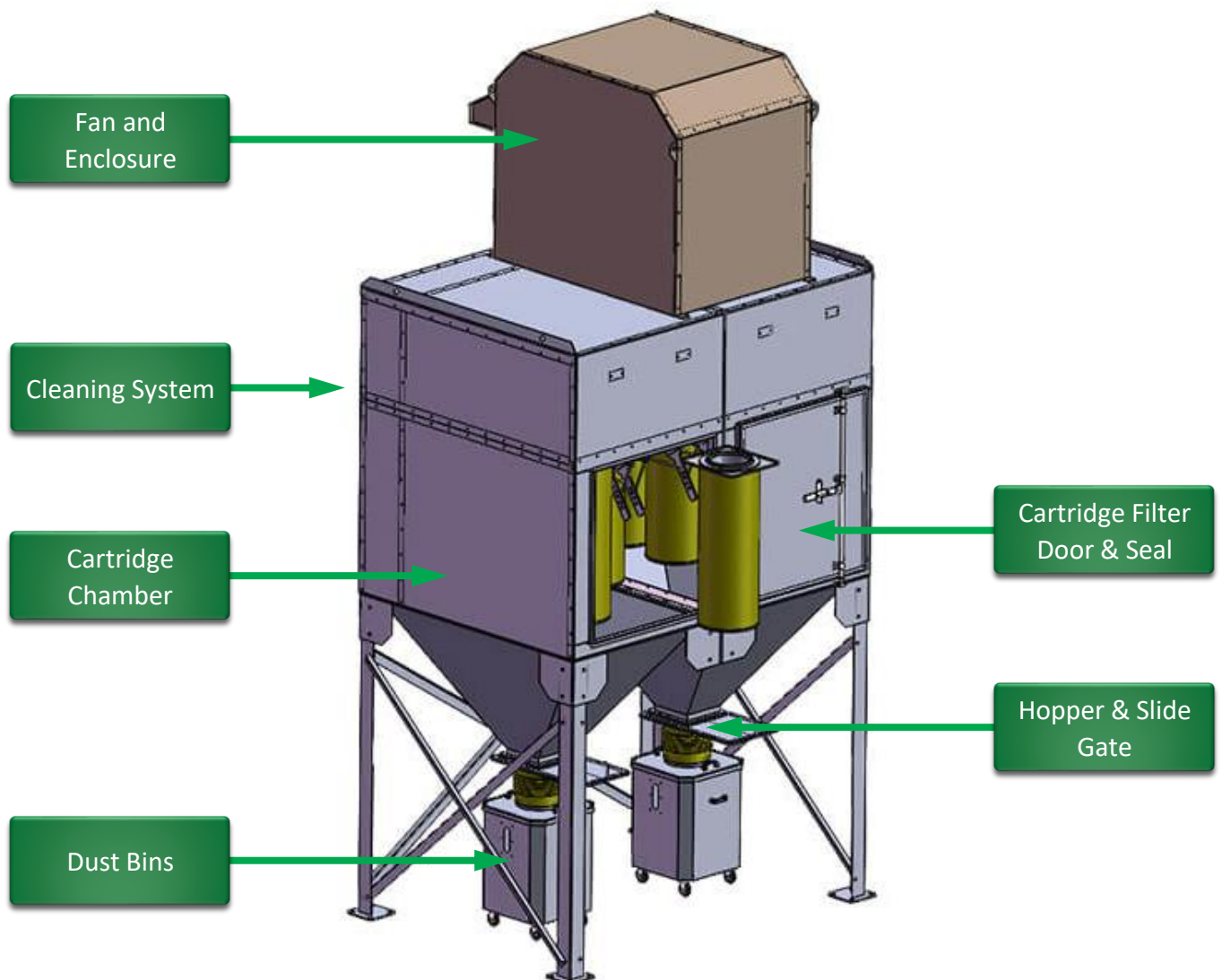
- ▲ Ultra-High Performance
- ▲ Suitable for heavy dust load and high velocity applications
- ▲ Specially design “quick-change” cartridge mechanism
- ▲ Available with various types of filter media to suit application

Standard Operating Conditions

- ▲ Ambient Temperature: 5°C to 50°C
 - ▲ Lower temperatures up to -20°C
- ▲ Wind loading rating: up to 160 km/hr
- ▲ Pressure rating (kPa): +3.8/-5.0

▲ Ideal for dust extraction in the following industries:

- ▲ Mining, Cement, Graphite, Foundries, Pharmaceutical, Ceramics, Laboratories

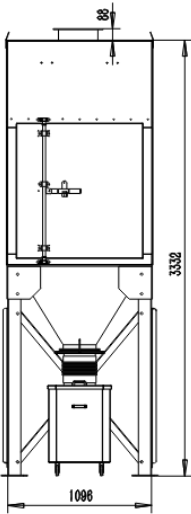


BASIC TECHNICAL SPECIFICATIONS

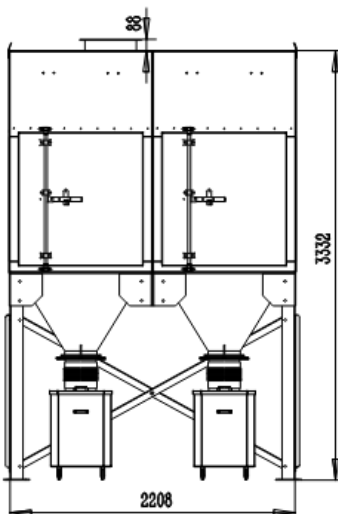
Models Typically Available (custom options available)	APC-AD2-4	APC-AD2-8	APC-AD2-12	APC-AD2-16	APC-AD2-20	APC-AD3-6	APC-AD3-12	APC-AD3-18	APC-AD3-20	APC-AD3-30	APC-AD4-8	APC-AD4-16	APC-AD4-24	APC-AD4-30	APC-AD4-40
# Filter Cartridges	4	8	12	16	20	6	12	18	20	30	8	16	24	30	40
Max Total Filter Area (m ²) (Cellulose Cartridge)	112	224	336	448	560	168	336	504	672	840	224	448	672	896	1120
Particulars	<ul style="list-style-type: none"> ▲ Material / Finish: Steel / Powder Coated (APCINFRA Standard Colour: SILVER); ▲ Fan Sizing: Centrifugal fans (3PH/415V/50 Hz) from 7.5kW up to 40kW dependant on application; ▲ Compressed Air Requirements (MPa): Typically 0.62-0.67 or (90-100 psig); 														
Standard Components	<ul style="list-style-type: none"> ▲ Cartridge filter chamber ▲ Clean air chamber ▲ Fan, Fan chamber & Fan control cabinet ▲ Hopper & Supporting legs 					<ul style="list-style-type: none"> ▲ Dust bin ▲ Pulse valves (Diaphragm Valve incl. Solenoid Valve) ▲ Compressed air tank 					<ul style="list-style-type: none"> ▲ Differential pressure gauge ▲ Pulse valve controller (Timer Board, 24VDC) ▲ Powder coating finish (silver) 				
Optional Components	<ul style="list-style-type: none"> ▲ Various media cartridge filter ▲ Spun Bond Polyester ▲ Antistatic ▲ With PTFE Membrane 					<ul style="list-style-type: none"> ▲ Fan acoustic chamber ▲ Explosion vent and/or spark arrestor ▲ Differential pressure controller 					<ul style="list-style-type: none"> ▲ Epoxy top coating ▲ Pulse on demand controller ▲ Skid mount base ▲ Variable speed drives ▲ Built-in air compressor 				

Typical Elevations and Dimensions

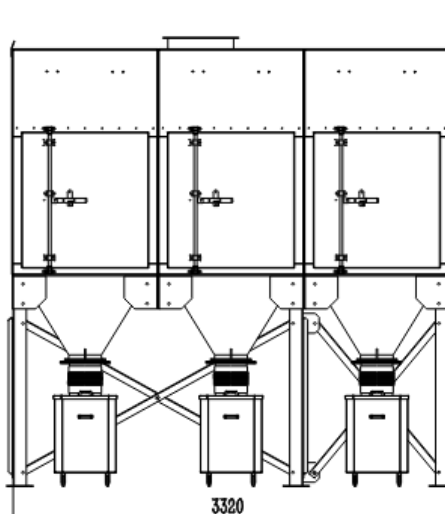
APC-AD2-4



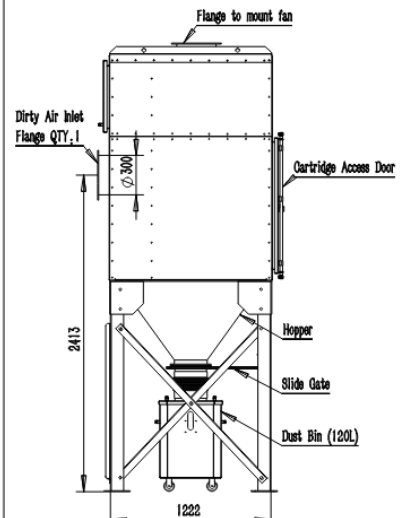
APC-AD2-8



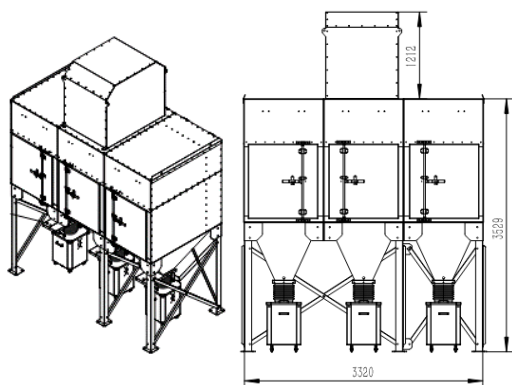
APC-AD3-18



Typical Side Elevation



Top Mounted Fan Arrangement



Alternate Arrangements with Ground Mounted Fan

