

Filter Bag Order Form

Filter Bag Order Form				
Part# if available/known				
A	Bag Length (mm)		F	OPTIONAL - Boot Required (Yes/No)
B	Bag Diameter (mm)		G	Boot Height (mm)
C	CPO (mm)		H	Temperature Range (°C)
D	Cuff Gap (mm)		J	Type of Dust (Rock Dust, Ore Dust, Wood Dust/Chips, Grinding Dust, Heavy Metal, etc)
E	Base Hole Diameter (if required) (mm)		K	Quantity Required

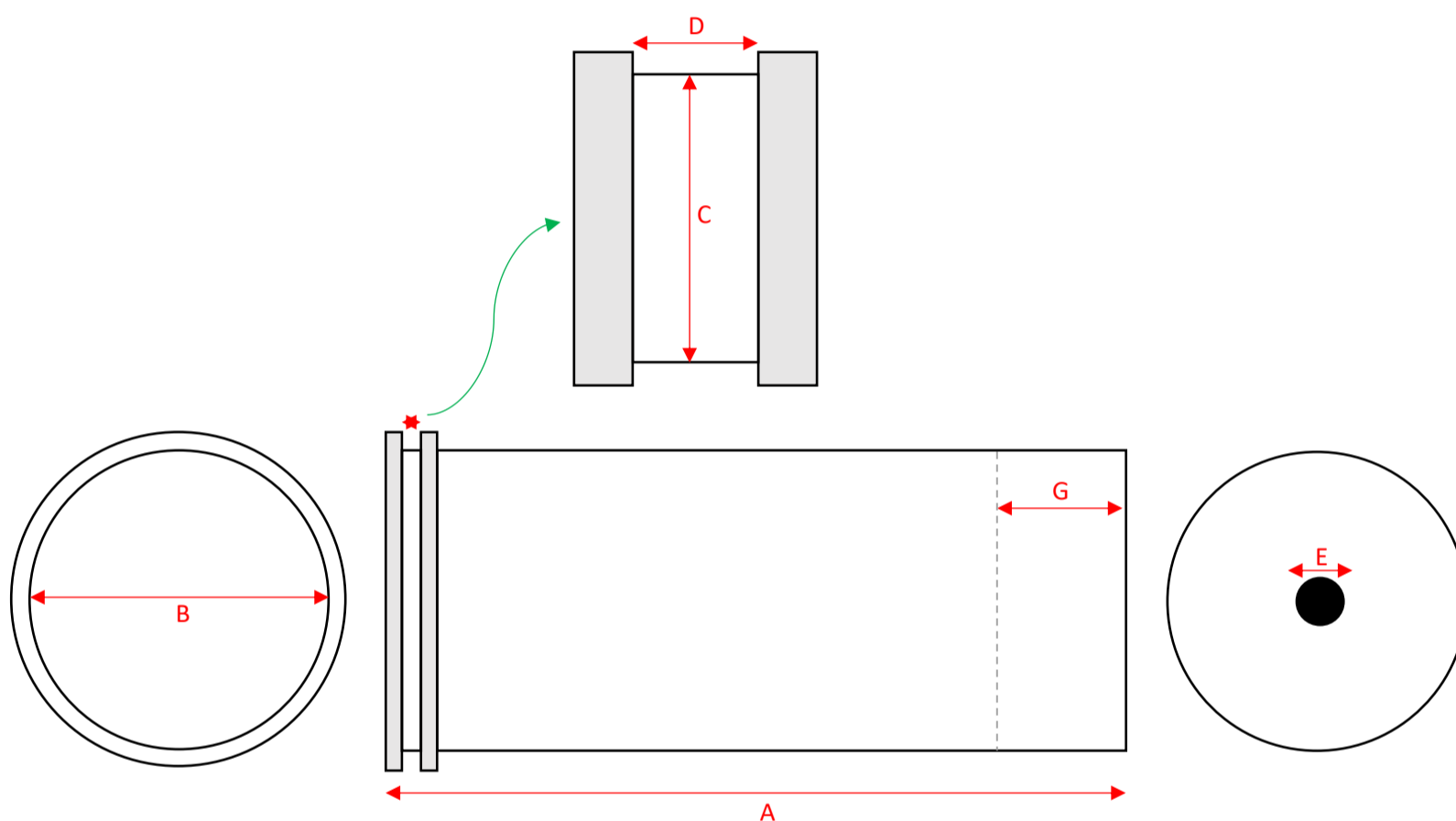
Special Requirements

Looped End Required:

Sticky Feed / Dust:

Specific Material Required (Please Specify):

DIAGRAM



APCINFRA can custom manufacture bags to your specific requirements in a range of different fabrics such as:

- Aramid
- Fiberglass
- Various Polyester Needlefelts/PPS
- PTFE membranes / coatings
- Singed Polyester;
- Cotton;
- Carbon Impregnated;
- Anti-static;
- Acid Resistant